



K R C O S M E T I C C O N T A I N E R S

A company specializing in manufacturing
the best airless cosmetic container.

KR KR.Co.Ltd.

경기도 부천시 원미구 평천로 812번길 26(도당동 161-1)
26, Pyeongcheon-ro 812beon-gil, Wonmi-gu, Bucheon-si, Gyeonggi-do, Korea

TEL. 032.684.5204 FAX. 032.684.5205
www.kr5204.com E-MAIL. kr5204@hanmail.net

KR KR.Co.Ltd.

KR Co., a company specializing in manufacturing of cosmetic containers, was established in 1996 with a management philosophy "to provide a total solution for best cosmetic containers that are able to convey a beautiful sensibility to mankind" and based thereon, it has been continuously developing and launching products with high performance characteristics, acquiring new customers along the way and also accelerating their success with its products, thereby establishing firm partnership with the customers and taking pride therefrom.

All of its employees firmly believe that the top priority in customer satisfaction is keeping the promise with the customers on meeting the deadline and comply with strict quality control deadlines and comply with strict quality control, and this belief is firmly rooted in their daily life.

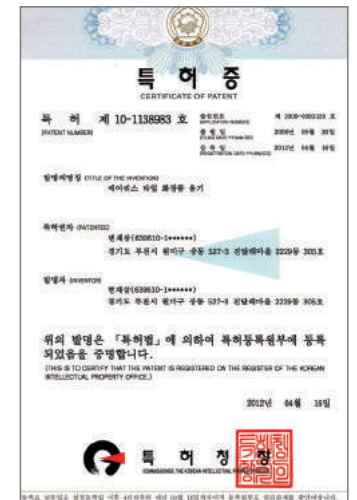
Insisting on the development of only the future-oriented and ultimate performance products.

As consequence of continuously developing and manufacturing the cosmetic containers with high performance characteristics, we strongly believe that it is making contributions to the world cosmetic industry, and we promise to continuously strive to research and develop new products.

It is our belief that customer's success is our success belief, and as a business partner, our role is provide to the customers the honesty and efforts that are infinitely trusted by the customers and through such an unfaltering belief on our part, try to make the customers the best in the industry.



Development of the world's first vacuum container with a fixed nozzle and nozzle air shut-off (Domestic and Foreign Patent Applications)

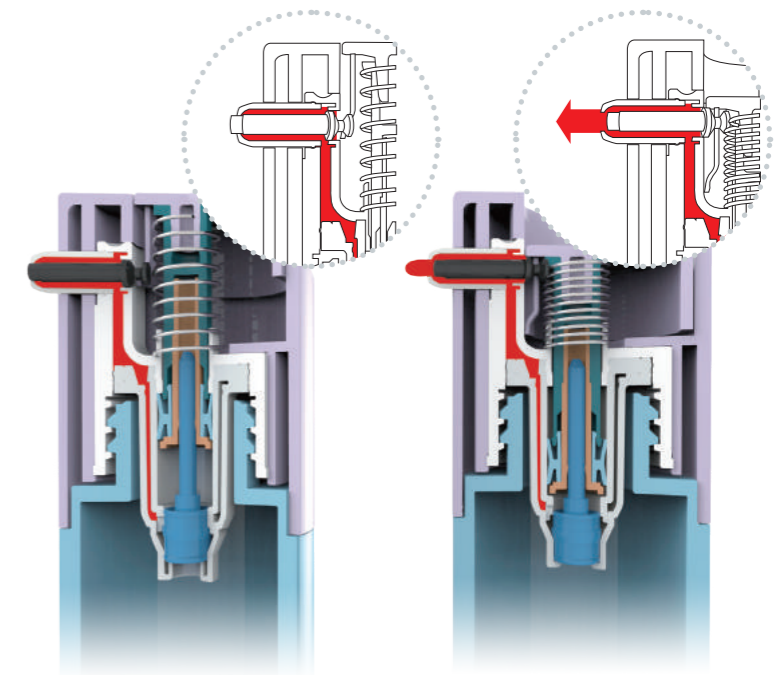


What is meant by "Shut-Off Type?"

Shut-off type is a new proprietary technology of KR with advantages in preventing the deterioration and solidification of the product contained in the container when the product is not in use by blocking the nozzle, imparting to the customers the same feeling and impression of the product when used for the first time and in delivering the product to the desired location without moving the nozzle.

셧-오프 "Shut Off Type" 란?

제품 미 사용시 노즐입구가 막혀 있어서 내용물의 변질 및 굳는 현상을 막아주어 항상 처음 사용하는 느낌 그대로 제품을 사용할 수 있으며, 노즐의 움직임이 없어 내용물을 원하는 위치에 떨어뜨릴 수 있는 장점을 가진 (주)케이알만의 신기술입니다.



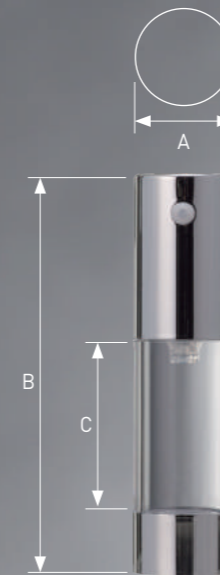
KR101 Single Bottle Line Airless System

Add elegance to your cosmetics



Features Shut Off & Pump Screw Type

Dosage 0.20cc



Part Material

Button	Pump	Cap	Bottle	Base
ABS	PP/PE	ABS	SAN	ABS

Model	Capacity (ml)	Dia. (Ø) A	Height (mm) B	Deco line (mm) C
KR101-015	15	26.0	102.0	44.1
KR101-020	20	26.0	116.6	58.5
KR101-025	25	26.0	131.6	73.1
KR101-030	30	31.8	110.7	52.5
KR101-035	35	31.8	119.2	61.0
KR101-040	40	31.8	128.2	70.0
KR101-045	45	31.8	137.0	79.0
KR101-050	50	31.8	146.0	88.0



KR101 Single Bottle Line Airless System

KR103 Double Bottle Line Airless System

Striving to become the Best Choice that you can make...



Features Shut Off & Pump Screw Type

Dosage 0.20cc



Part Material

Mask Cap	Button	Pump	Cap	Bottle	Base
SAN	ABS	PP/PE	ABS	SAN	ABS

Model	Capacity (ml)	Dia. (Ø)		Deco line (mm)
		A	B	
KR103-030	30	48.6	90.4	41.9
KR103-050	50	48.6	110.0	61.7
KR103-100	100	48.6	156.0	107.9
KR103-120	120	48.6	173.0	124.9



KR103 Double Bottle Line Airless System

KR104 Mask Type Single Bottle Line Airless System

Dreaming of containers that can even fill in your sincerity...



Features Shut Off & Pump Screw Type

Dosage 0.20cc

Part Material

Mask Cap	Button	Pump	Cap	Bottle	Base
SAN	ABS	PP/PE	ABS	SAN	ABS



Model	Capacity (ml)	Dia. (Ø) A	Height (mm) B	Deco line (mm) C
KR104-030	30	32.0	115.7	52.5
KR104-035	35	32.0	124.2	61.0
KR104-040	40	32.0	133.2	70.0
KR104-045	45	32.0	142.0	79.0
KR104-050	50	32.0	151.0	88.0



KR104 Mask Type Single Bottle Line Airless System

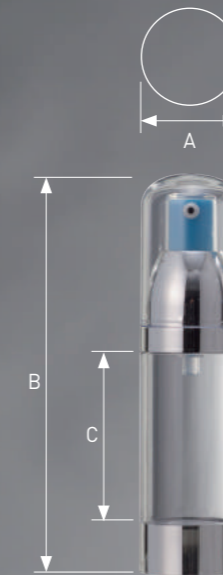
KR105 Overcap style Single Bottle Line Airless System

Courage to approach with its sensitivity.



Features Shut Off & Pump Screw Type

Dosage 0.20cc



Part Material

Over Cap	Button	Pump	Cap	Bottle	Base
SAN	ABS	PP/PE	ABS	SAN	ABS

Model	Capacity (ml)	Dia. (Ø)		Deco line (mm) C
		A	B	
KR105-030	30	32.0	116.0	52.5
KR105-035	35	32.0	132.4	61.0
KR105-040	40	32.0	141.4	70.0
KR105-045	45	32.0	150.2	79.0
KR105-050	50	32.0	159.2	88.0



KR105 Overcap style Single Bottle Line Airless System

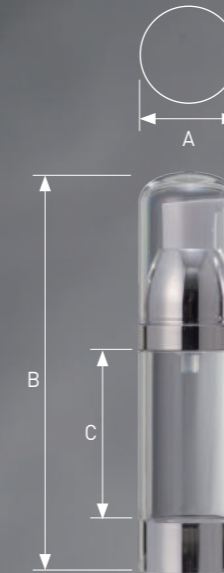
KR106 Overcap Style Single Bottle Line(Basic Pump) Airless System

Technology that cannot be kept secret.



Features Basic & Pump Screw Type

Dosage 0.20cc



Part Material

Over Cap	Button	Pump	Cap	Bottle	Base
SAN	PP	PP/PE	ABS	SAN	ABS

Model	Capacity (ml)	Dia. (Ø)		Height (mm)	
		A	B	B	C
KR105-030	30	32.0	116.0	52.5	
KR105-035	35	32.0	132.4	61.0	
KR105-040	40	32.0	141.4	70.0	
KR105-045	45	32.0	150.2	79.0	
KR105-050	50	32.0	159.2	88.0	



KR106 Overcap Style Single Bottle Line(Basic Pump) Airless System

Tube Line System

Beautiful products that can draw the consumers' attention.



Features Over Cap Screw Type

Capacity 40 ~ 80ml , Ø35

Part Material

Over Cap	Brush Head	Tube
ABS	PE/PP	PE



Tube Line

KR201-3 Airtight COMPACT

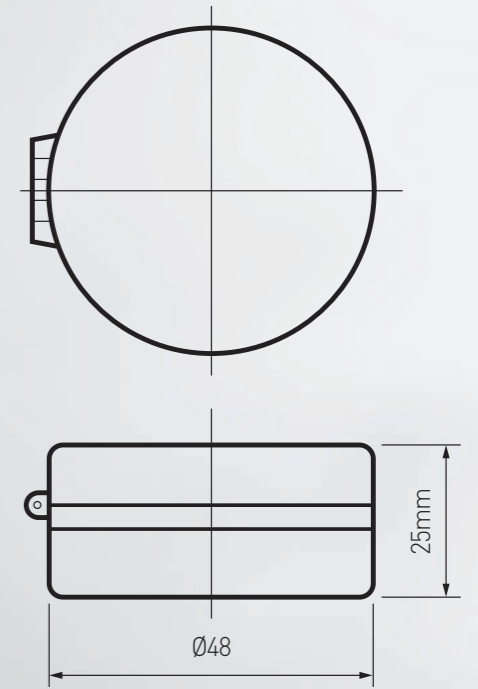
Fill in your Confidence.



Capacity 3g
Height 25mm, Ø48

Part Material

Over Cap	Inside	Base
ABS	PE/PP	ABS



KR201-3 Airtight COMPACT

KR201-13 Airtight COMPACT

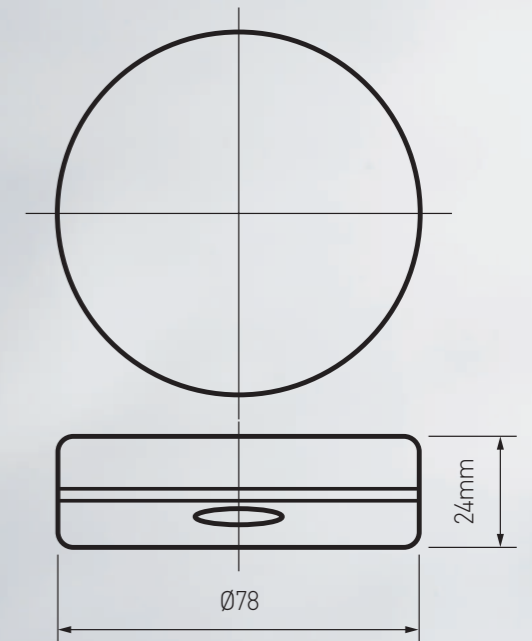
Design that induces the wanting.



Capacity 13g
Height 24mm, Ø78

Part Material

Over Cap	Inside	Base
ABS	PE/PP	ABS



KR201-13 Airtight COMPACT

KR201-15 Airtight COMPACT

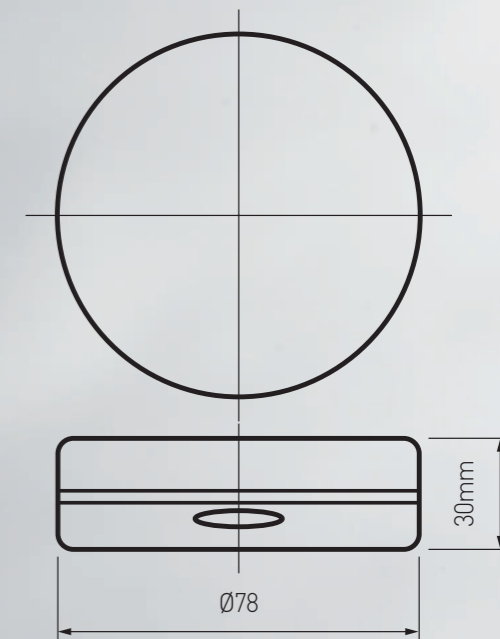
Luxurious line to complement your product.



Capacity 15g
Height 30mm, Ø78

Part Material

Over Cap	Inside	Base
ABS	PE/PP	ABS



KR201-15 Airtight COMPACT

OTHERS Cosmetic Containers

Continuous technology development that my lead to the future of the product.



Company Profile

2013

- 11. Registered as a member of Gyeonggi Cosmetics Council
- 10. Execution of Cooperation Agreement with Hanyang University
- 09. ISO-9001, ISO-14001 Certification
- 08. Registration of two Patents on "Sealed Cosmetic Containers"
- 07. Registration of a patent on "Nozzle Opening and Shutting Apparatus for Airless-type Cosmetic Containers"
- 01. Registered as a partner company of LG Household & Health Care

2012

- 10. Filing of two Patents, including one on "Sealed Cosmetic Containers" (No. 10-2012-0120337)
- 08. Registration of two Patents, including one on "Cosmetic Container with a Sealed Structure" (No. 10-1173162)
- 04. Registration of a Patent on "Airless-type Cosmetic Container"
- 02. Securing of customers in Japan, the United States, Italy, Germany, China, Hong Kong, Thailand and others, and Exporting thereto

2011

- 12. Forming of KR Co. Inc.
- Completion of the Plant
- Installation of New Injection Equipment (280t/130t)
- Filing of two Patents, including one on "Sealed Cosmetic Container" (No. 10-2011-0060861)

2010

- 10. Good Clean Workplace Certification
- 07. The company renamed to KR
- 03. Registration of one Design Patent

2009

- 12. Registration of Two Patents, including one on "Airless-type Cosmetic Container (No. 10-0935907)
- 10. Registration of Four Patents in Japan, the United States, Europe and China, including one on "Airless-type Cosmetic Containers"
- 07. Registration of one Design Patent

2006

- 12. Registration of a Patent, entitled "Lipstick Container incorporating therein a Lifting Apparatus" (No. 10-0656846)
- 08. Registration of one Utility Model on "Assembled Structure of Injection Molded cosmetic Containers" registered

2004

- 05. Registration of two Utility Models, including one on "Push-button Type Gel Cosmetic Containers"

2003

- 10. Expansion and Relocation (160-1, Dodang-dong, Wonmi-gu, Bucheon-si, Gyeonggi-do)
- 04. Registration of one Utility Model on "Cosmetic Brush Case" registered

1996

- 07. Founding of Koryo Precision

